

Aluminum Neutral Bars - 4-14(11111)

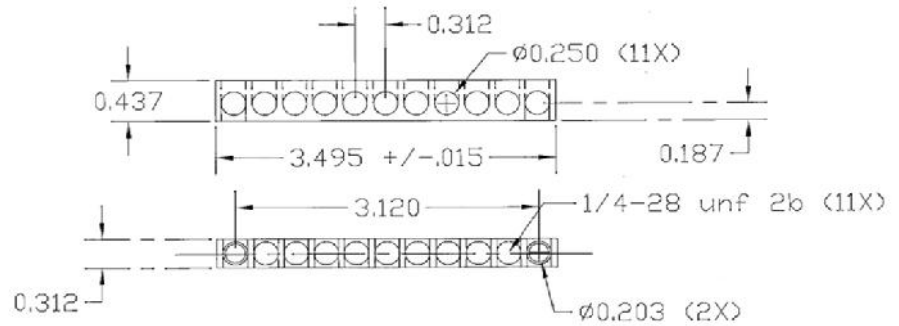
Multiple connectors are made from either copper or aluminum bar and can be used in a variety of neutral and grounding applications. The aluminum connectors are tin plated for low contact resistance and are suitable for use with copper and or aluminum conductors.

Drawn - SD

Approved - KM

Material - Aluminum Bar / Steel Screws

Title - Aluminum Neutral Bar



Part Number	Wire Range	L	W	H	Hole Spacing	Screw Size
4-14(11111)	4-14 AWG	3.4950	0.3120	0.4370	0.3120	1/4-28